

**FEATURES**

- Differential D and Q
- Extended 100E VEE range of -4.2V to -5.5V
- 700ps max. propagation delay
- High frequency outputs
- Internal 75KΩ input pull-down resistors
- Fully compatible with Motorola 10E/100E404
- Available in 28-pin PLCC package

**DESCRIPTION**

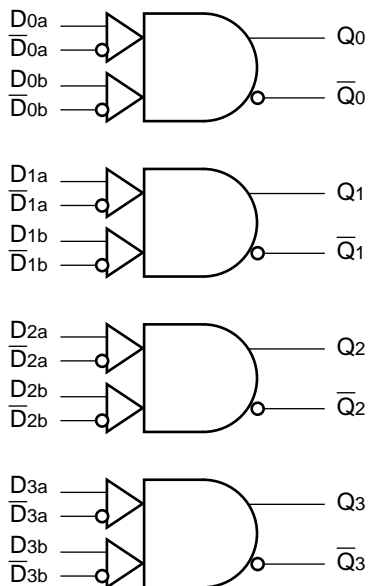
The SY10/100E404 are 4-bit differential AND/NAND devices. The differential operation of these devices make them ideal for pulse shaping applications where duty cycle skew is critical. Special design techniques were incorporated to minimize the skew between the upper and lower level gate inputs.

Because a negative 2-input NAND function is equivalent to a 2-input OR function, the differential inputs and outputs of the devices also allow for their use as fully differential 2-input OR/NOR functions.

The output RISE/FALL times of these devices are significantly faster than most other standard ECLinPS devices, resulting in an increased bandwidth.

The differential inputs have clamp structures which will force the Q output of a gate in an open input condition to go to a LOW state. Thus, inputs of unused gates can be left open and will not affect the operation of the rest of the device.

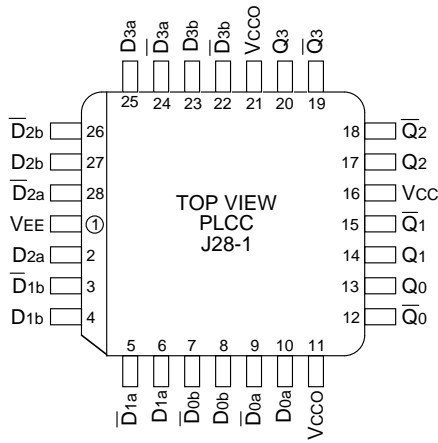
**BLOCK DIAGRAM**



**PIN NAMES**

Pin	Function
D[0:4], D̄[0:4]	Differential Data Inputs
Q[0:4], Q̄[0:4]	Differential Data Outputs
VCC0	VCC to Output

**PACKAGE/ORDERING INFORMATION**



**28-Pin PLCC (J28-1)**

**Ordering Information<sup>(1)</sup>**

Part Number	Package Type	Operating Range	Package Marking	Lead Finish
SY10E404JC	J28-1	Commercial	SY10E404JC	Sn-Pb
SY10E404JCTR <sup>(2)</sup>	J28-1	Commercial	SY10E404JC	Sn-Pb
SY100E404JC	J28-1	Commercial	SY100E404JC	Sn-Pb
SY100E404JCTR <sup>(2)</sup>	J28-1	Commercial	SY100E404JC	Sn-Pb
SY10E404JZ <sup>(3)</sup>	J28-1	Commercial	SY10E404JZ with Pb-Free bar-line indicator	Matte-Sn
SY10E404JZTR <sup>(2, 3)</sup>	J28-1	Commercial	SY10E404JZ with Pb-Free bar-line indicator	Matte-Sn
SY100E404JZ <sup>(3)</sup>	J28-1	Commercial	SY100E404JZ with Pb-Free bar-line indicator	Matte-Sn
SY100E404JZTR <sup>(2, 3)</sup>	J28-1	Commercial	SY100E404JZ with Pb-Free bar-line indicator	Matte-Sn

**Notes:**

1. Contact factory for die availability. Dice are guaranteed at T<sub>A</sub> = 25°C, DC Electricals only.
2. Tape and Reel.
3. Pb-Free package is recommended for new designs.

**TRUTH TABLE**

Da	Db	Q	$\overline{D}a$	$\overline{D}b$	$\overline{Q}$
L	L	L	L	L	L
L	H	L	L	H	H
H	L	L	H	L	H
H	H	H	H	H	H

**DC ELECTRICAL CHARACTERISTICS**

VEE = VEE (Min.) to VEE (Max.); VCC = VCCO = GND

Symbol	Parameter	TA = 0°C			TA = +25°C			TA = +85°C			Unit	Condition	
		Min.	Typ.	Max.	Min.	Typ.	Max.	Min.	Typ.	Max.			
I <sub>IH</sub>	Input HIGH Current	—	—	150	—	—	150	—	—	150	μA	—	
I <sub>EE</sub>	Power Supply Current	10E	—	106	127	—	106	127	—	106	127	mA	—
		100E	—	106	127	—	106	127	—	106	127		
		100E	—	106	127	—	106	127	—	122	146		
V <sub>PP</sub> (DC)	Input Sensitivity	50	—	—	50	—	—	50	—	—	mV	1	
V <sub>CMR</sub>	Common Mode Range	-1.5	—	0	-1.5	—	0	-1.5	—	0	V	2	

**Notes:**

- Differential input voltage required to obtain a full ECL swing on the outputs.
- V<sub>CMR</sub> is referenced to the most positive side of the differential input signal. Normal operation is obtained when the input signals are within the V<sub>CMR</sub> range and the input swing is greater than V<sub>PP</sub> (min.) and <1V.

**AC ELECTRICAL CHARACTERISTICS**

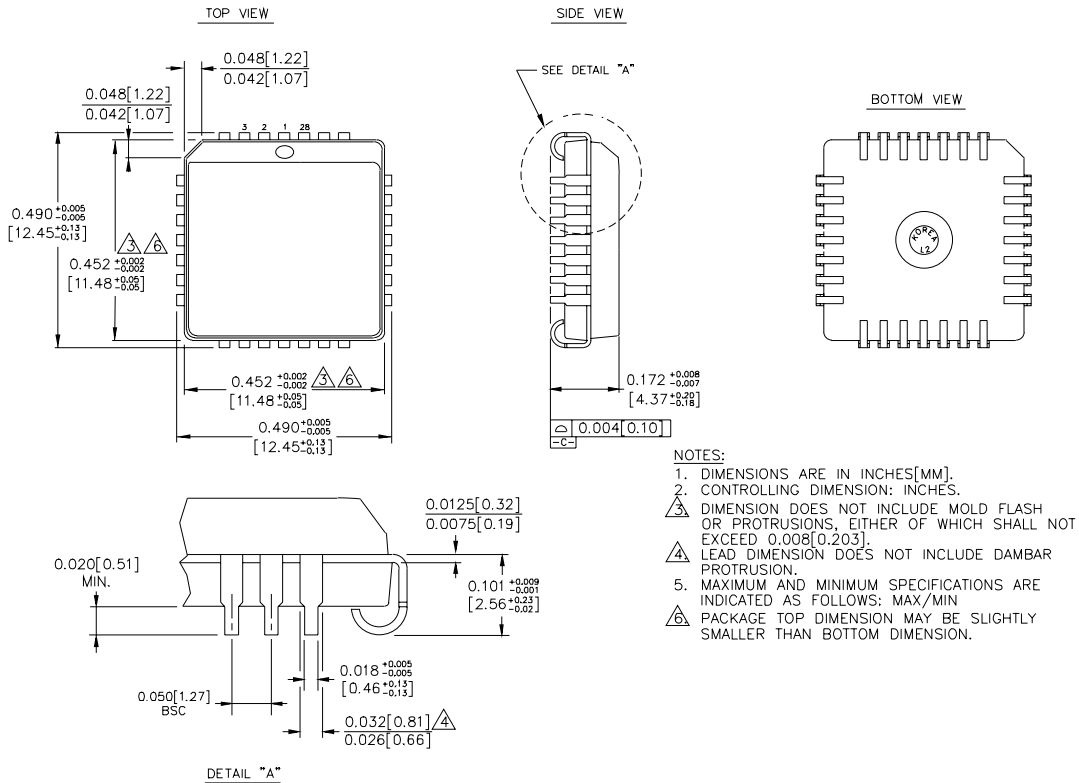
VEE = VEE (Min.) to VEE (Max.); VCC = VCCO = GND

Symbol	Parameter	TA = 0°C			TA = +25°C			TA = +85°C			Unit	Condition	
		Min.	Typ.	Max.	Min.	Typ.	Max.	Min.	Typ.	Max.			
t <sub>PD</sub>	Propagation Delay to Output	Da (Diff)	350	475	650	350	475	650	350	475	650	ps	—
		Da (SE)	300	475	700	300	475	700	300	475	700		
		Db (Diff)	375	500	675	375	500	675	375	500	675		
		Db (SE)	325	500	725	325	500	725	325	500	725		
t <sub>skew</sub>	Within-Device Skew	—	50	—	—	50	—	—	50	—	ps	1	
V <sub>PP</sub> (AC)	Minimum Input Swing	150	—	—	150	—	—	150	—	—	mV	2	
t <sub>r</sub> t <sub>f</sub>	Rise/Fall Time 20–80%	150	—	400	150	—	400	150	—	400	ps	—	

**Notes:**

- Within-device skew is defined as identical transitions on similar paths through a device.
- Minimum input swing for which AC parameters are guaranteed.

**28-PIN PLCC (J28-1)**



Rev. 03

**MICREL, INC. 2180 FORTUNE DRIVE SAN JOSE, CA 95131 USA**

TEL + 1 (408) 944-0800 FAX + 1 (408) 474-1000 WEB <http://www.micrel.com>

The information furnished by Micrel in this data sheet is believed to be accurate and reliable. However, no responsibility is assumed by Micrel for its use. Micrel reserves the right to change circuitry and specifications at any time without notification to the customer.

Micrel Products are not designed or authorized for use as components in life support appliances, devices or systems where malfunction of a product can reasonably be expected to result in personal injury. Life support devices or systems are devices or systems that (a) are intended for surgical implant into the body or (b) support or sustain life, and whose failure to perform can be reasonably expected to result in a significant injury to the user. A Purchaser's use or sale of Micrel Products for use in life support appliances, devices or systems is at Purchaser's own risk and Purchaser agrees to fully indemnify Micrel for any damages resulting from such use or sale.

© 2006 Micrel, Incorporated.